

EDGEsky

QUOTATION REQUEST

Contact:

Company:

Address:

Postcode: Telephone:

Fax:

Mobile: Email:

DRAW LANTERN ROOF IN PLAN VIEW. PLEASE PROVIDE EXTERNAL EAVES BEAM SIZES ENSURING THE OUTSIDE OF THE EAVES BEAM SITS FLUSH WITH YOUR EXTERNAL UPSTAND.

JOB REFERENCE:

DETAILS:

EXTERNAL COLOUR:

INTERNAL COLOUR:

Standard (All the same cost)

White GLOSS

Grey RAL 7016 MATT

White GLOSS

Grey RAL 7016 MATT

Black MATT RAL 9005

Black MATT RAL 9005

Bespoke (Additional cost)

RAL Colour:

RAL Colour:

EXTERNAL EAVES SIZES

WIDTH:

PROJECTION:

GLASS OPTIONS

UNGLAZED

Sunshade Blue 1.0

Ambi Blue 1.2

Ambi Bronze 1.2

Ambi Aqua 1.0

Ambi Neutral 1.2

Ambi Ultra 1.0

FINIALS REQUIRED

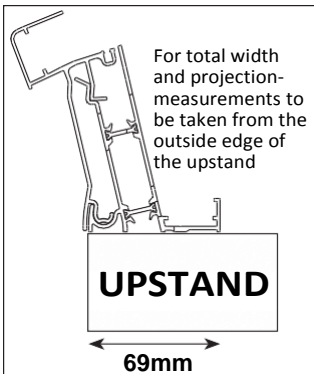
Ball

None

SITE DELIVERY POSTCODE:

(for load calculation purposes only)

EXTRA'S REQUIRED / COMMENTS:



EDGEsky is a 25 degree fixed pitch

FAXBACK 0845 021 4444

Tel: 0845 021 3333 Email: sales@edgebp.co.uk